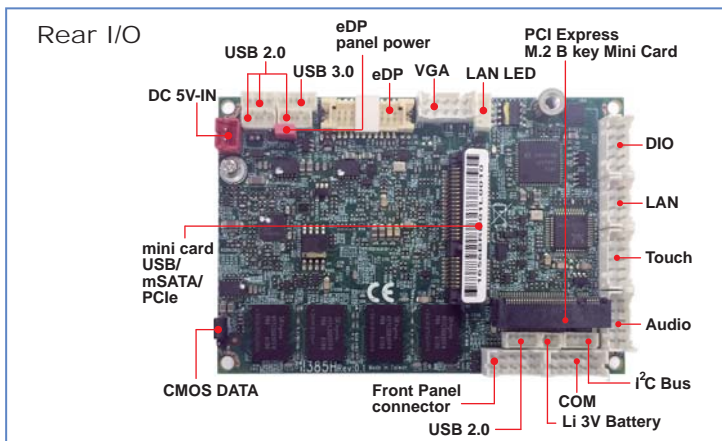




11385H Series

www.kacer.com

Back Panel



- ▶ Intel® Bay Trail-I E3825 CPU, Femto-ITX 1.8" Super compact SBC, On Board DDR3L Memory, VGA, 3 x USB, 1 x GbE, 1 x Full-size Mini PCIe, COM

▶ Features

- Embedded Intel® Bay Trail-IE3825 CPU / chipset
- On Board 2G DDR3L, VGA, eDP, Touch Screen, Audio
- 1 x Intel GbE LAN, 1 x USB 3.0, 2 x USB 2.0, COM
- 1 x Mini PCIe for PCIe / USB / mSATA. M.2 B Key, type 2242

Specification:

MODEL	11385H
CPU Type	Bay Trail-I E3825 1.33GHz (Dual core processor)
MB Chipset	Intel Bay Trail-I E3825 chipset
BIOS	Insyde UEFI BIOS
Graphics	Intel's 7th generation (Gen 7) graphics and media encode / decode engine, Supports DX*11, OpenGL 3.0 (OGL 3.0), OpenCL 1.2 (OCL 1.2), OpenGLES 2.0 Display Ports: VGA / eDP
System Memory	On Board 1066 MHz 2Gb DDR3L
eDP	eDP.- pin header, support 2 lanes resolution up max to 1920x1080.
Touch Screen	COM interface Touch screen controller
Storage	2 x SATA ports 2.0 Data transfer rates up to 3.0 Gb/s (300 MB/s) 1 x mini card socket for mSATA, 1 x M.2 mini card socket for SATA SSD
Audio	High Definition Audio Specification, Support Line-out / Mic-in
LAN	1 x Intel LAN 10 / 100 / 1000 Mbps
USB	1 x USB 3.0 / 2.0 2 x USB 2.0
DIO & WDT	Hardware digital Input & Output, 4 x DI / 4 x DO Hardware Watch Dog Timer, 0~255 sec programmable
IO function	1 x RS232
Expansion Interface	1 x Full size Mini card for PCIe / USB / mSATA 1 x M.2 (B Key for SSD, type 2242)
Power	DC IN+5V
Dimension	Femto-ITX 84 x 55 mm
Operation Temperature	-20°C ~ 70°C
Operation Humidity	5 ~ 95%, non-condensing
Expansion	GPS, IEEE1394, 3G / 4G, Bluetooth, WI-FI, I/O